



## Platform truck

# W20 – W30

Capacity 2 – 3 t | Series 5007-10

### Agile transporter

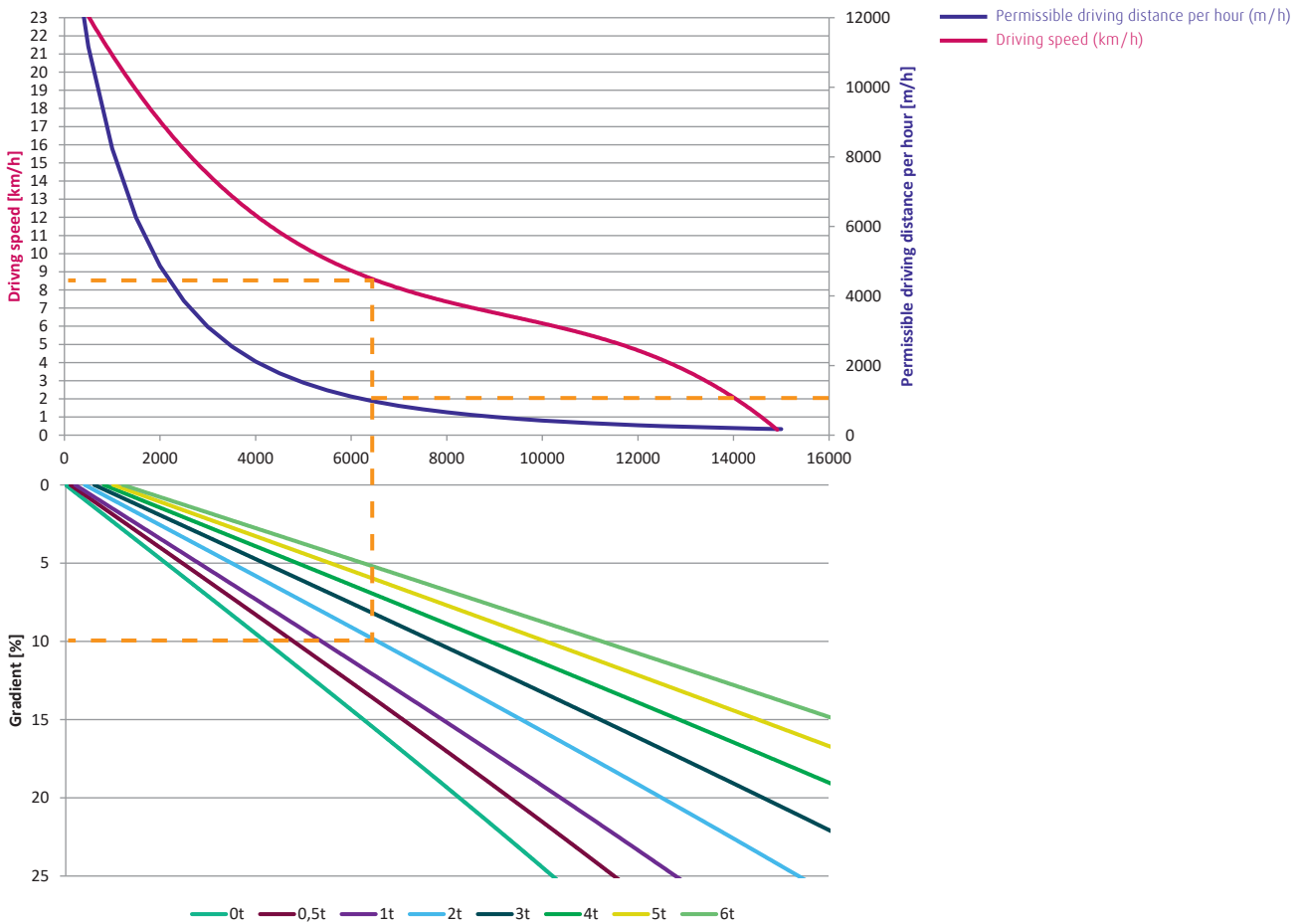
- High handling performance thanks to powerful electric motors
- Efficient transport of bundled goods between two (W20) and three tons (W30)
- Directional stability and maneuverability for safe, fast load transport even in tight spaces
- Small turning circle and compact dimensions for optimum maneuverability
- Driver's cabin decoupled from chassis for maximum driving comfort
- Free choice between lead-acid batteries and lithium-ion batteries



\*W20 with flexible cover option



## TOW DIAGRAM W20 – W30



The example shown illustrates a load transporter transporting 2 t operating on a ramp of 10 %, maximum travelling speed reachable 8.5 km/h for a maximum travel distance per hour of 1.6 km (1600 m\*)

\* depends on created heat while in application

# STANDARD AND OPTIONAL EQUIPMENT

Model/Equipment		W20	W30
Safety	Chassis protection	○	○
	Gradient assist	●	●
	Automatic speed reduction when cornering	○	○
	Safety belt	○	○
	Linde BlueSpot™	○	○
	Flashing/Rotating Beacon on/below overhead guard	○	○
	Additional emergency buttons located in the rear part	○	○
	Key switch	●	●
	Log in PIN code	○	○
Operation / Load Handling	Inching control	○	○
	Load platform lighting	○	○
	Reversing camera	○	○
	Speed reduced if deep discharge	●	●
	External rear-view mirrors	○	○
	Telescopic rear-view mirrors	○	○
Digitalisation	Linde connect: desk	○	○
	ac: access control (PIN or RFID)	○	○
	dt: crash detection	○	○
	Linde connect: cloud	○	○
	Data Transmission (WiFi or Online)	○	○
Workplace	Suspended Cabin	●	●
	Steering wheel with knob	○	○
	Air conditioning	○	○
	Heating	○	○
	Multifunction coloured display with hour meter, maintenance indication, battery discharge indicator, internal fault code indication, selected drive direction and actual steering wheel position	●	●
	Radio	○	○
	Electrical socket and USB-connection	○	○
	Sun visor	○	○
Support clipboard DIN A4	○	○	
Attachement / Forks	Lighting for rear towing attachment	○	○
	Electric. socket 12 V (13-pole)	○	○
Axles and Tyres	Tyre Conti. RV20	●	●
	SE-SIT Continental	○	○
	SE-SIT non marking	○	○
Drive and Brake-System	Onboard charger	○	○
	Lateral battery change option	●	●
	Vertical battery change option	—	—
	Battery 3 PzS 240 Ah	●	●
	Battery 4 PzS 320 Ah	○	○
Battery 4 PzS 7460 – 500 Ah	○	○	
Service	CAN bus technology	●	●
	Free maintenance braking system	●	●

● Standard equipment

○ Optional equipment

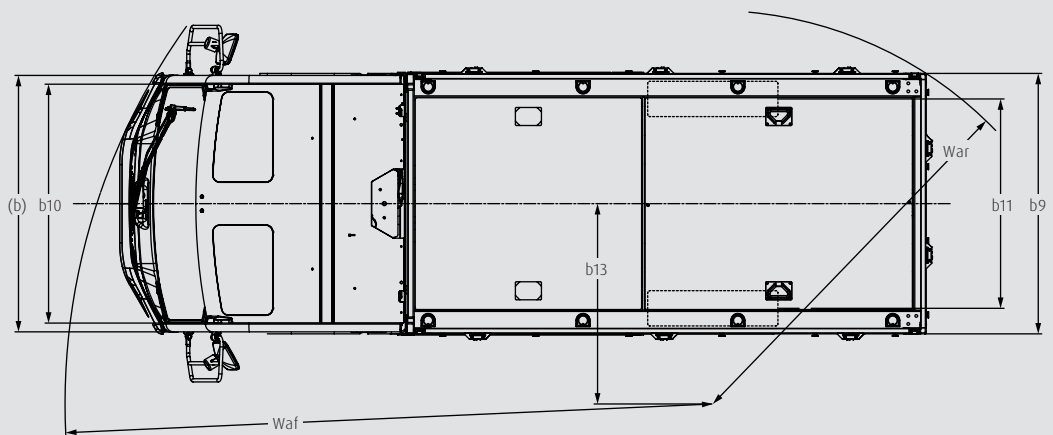
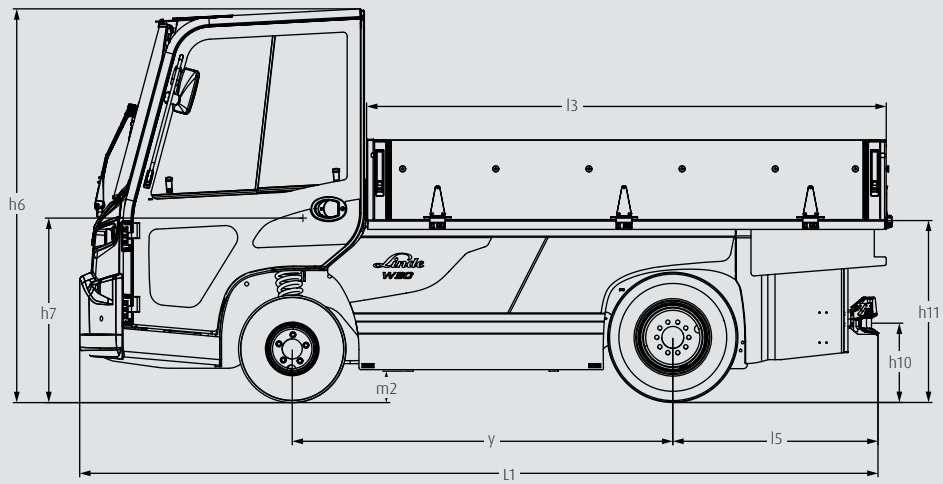
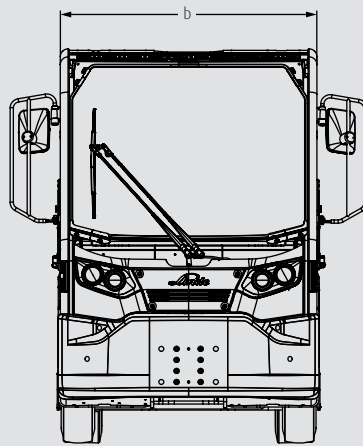
— Not available

# TECHNICAL DATA (According to VDI 2198)

Characteristics	1.1	Manufacturer		Linde	Linde
	1.2	<b>Model designation</b>		<b>W20 (LWB)</b>	<b>W30 (LWB)</b>
	1.3	Power unit		Electric	Electric
	1.4	Operation		Seat	Seat
	1.5	Load capacity	Q (kg)	2000	3000
Weights	1.5.1	Towing capacity	Q (kg)	6000	6000
	1.7	Rated tractive force	F (N)	900/1200	900/1200
	1.9	Wheelbase	y (mm)	1906	1906
Wheels/Tyres	2.1	Service weight incl. battery (with cabin)	(kg)	4205*	4205*
	2.2	Axle load with load, front/rear	(kg)	2620*/3585*	2620*/3585*
	2.3	Axle load without load, front/rear	(kg)	2320*/1885*	2320*/1885*
	3.1	Tyres rubber, SE, pneumatic, polyurethane		Pneumatic / Superelastic	Pneumatic / Superelastic
	3.2	Tyre size, front		6.00 R 9	6.00 R 9
	3.3	Tyre size, rear		7.00 R 12	7.00 R 12
	3.5	Wheels number front/rear (x = driven)		2/2x	2/2x
Dimensions	3.6	Track width, front	b10 (mm)	1102/1120	1102/1120
	3.7	Track width, rear	b11 (mm)	1060	1060
	4.7	Height of overhead guard (cabin)	h6 (mm)	1950	1950
	4.8	Height of seat/stand-on platform	h7 (mm)	907	907
	4.12	Towing coupling height	h10 (mm)	270, 330, 380, 440 **	270, 330, 380, 440 **
	4.13	Platform height, unladen	h11 (mm)	897	897
	4.16	Loading platform, length	l3 (mm)	2200/2600***	2200/2600***
	4.17	Rear overhang (Cabin/rear)	l5.1 l5 (mm)	1055/665 (1065****)	1055/665 (1065****)
	4.18	Loading platform, width	b9 (mm)	1300	1300
	4.19	Overall length	l1 (mm)	3626/4026***	3626/4026***
	4.21	Overall width	b1 (mm)	1310	1310
	4.32	Ground clearance, centre of wheelbase (front)	m2 (mm)	150	150
	4.34	Aisle width (without safety distance)	Ast (mm)	5371/5613***	5371/5613***
	4.35	Turning radius (front/rear)	Waf/War (mm)	3284/1887(2101****)	3284/1887(2101****)
Performance	4.36	Minimum pivoting point distance	b13 (mm)	1116	1116
	5.1	Travel speed, with/without load	(km/h)	18/20	20/23
	5.5	Tractive force, with/without load	(N)	900/1200	900/1200
	5.6	Maximum tractive force, with/without load	(N)	15000	15000
	5.7	Climbing ability, with/without load	(%)	See towing diagram	See towing diagram
	5.8	Maximum climbing ability, with/without load	(%)	See towing diagram	See towing diagram
E-Motor	5.10	Service brake		electric/hydraulic	electric/hydraulic
	6.1	Drive motor, 60 minute rating	(kW)	2 x 10,5 KW	2 x 10,5 KW
	6.3	Battery according to DIN 43531/35/36 A, B, C, no		43536 A	43536 A
	6.4	Battery voltage	U (V)	80	80
	6.4.1	Battery capacity	K5 (Ah)	240/500	240/500
	6.5	Battery weight	(kg)	679/1210	679/1210
Others	6.6	Power consumption according to EN16796	(kWh/h)	-	-
	8.4	Noise level at operator's ear	(dB(A))	60	60
	8.5	Towing coupling, design/type, DIN		Rockinger 244	Rockinger 244

\* with platform 2200 mm  
 \*\* with Ro 244  
 \*\*\* optional platform 2600

\* with platform 2200 mm  
 \*\* with Ro 244  
 \*\*\* optional platform 2600





# CHARACTERISTICS



Operator and passenger seat belt

## Safety

- Automatic parking brake for preventing the vehicle from rolling unintentionally on slopes
- Constant speed when driving downhill for safety on ramps
- Operator and passenger seat belt
- Robust cabin with safety bar for additional protection of the operator
- Door locked sensor to make sure operators drive safely inside the cabin
- Linde curve assist reducing speed when cornering



Door net storage compartment

## Ergonomics

- Spacious damped cabin for increased driving comfort
- Easy maneuverability in tight spaces due to unobstructed all-round visibility and reflection-reducing windows
- Storage compartments and nets for sufficient storage space in everyday work
- Easy adjustable steering column
- Curved front screen ensures excellent maneuverability



Lateral battery change

## Handling

- High handling performance thanks to high-performance electric motors and constant speed on steep ramps
- Effortless, precise maneuverability thanks to the small turning circle, compact chassis, and smooth power steering
- Optional side panels and flexible cover
- 2200 mm or 2600 mm platform length



Coil spring and maintenance free braking system

## Service

- Easily accessible service components for efficient maintenance and repair
- Maintenance-free multi-disc brake for maximum vehicle availability
- Lateral or vertical battery change for fast replacement
- Easily replaceable windshield for fast reparations

Subject to modification in the interest of progress. Illustrations and technical details could include options and not binding for actual constructions. All dimensions subject to usual tolerances.

Linde Material Handling

*Linde*

**ncnielsen**

Nørregade 66, DK-7860 Balling | Tlf.: +45 99 83 83 83  
nc-nielsen.dk | info@nc-nielsen.dk